



- ◆Clock Oscillator.
- ◆High Oscillating Frequency.
- ◆Low Cost With High Quality

# SP02

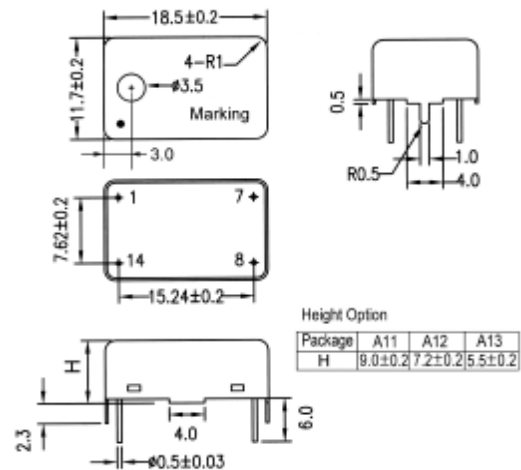
**Table1 Specifications**

Parameter		SP02
Frequency Range		80MHz~150MHz
Frequency Tolerance & Stability		±10~±100ppm, See Table 2
Operation Temperature Range		0~70°C standard, Extended Temp. Rang Available
Frequency Stability	vs Vcc Change ±10%	±1ppm
	vs Load Change ±10%	±1ppm
Supply Voltage		3.3V, 5.0V
Output	Wave Form	TTL/CMOS, Code is "T"
	Load	5TTL or 15pF max
	Duty Cycle	40~60%
	Tr/Tf	5ns typical, Frequency independent
Startup Time		5ms typical, 10ms max
Aging		±2ppm/year max
Package		A11,A12,A13,A14,A15,A16
Storage Temperature Range		-55~+85°C

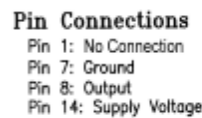
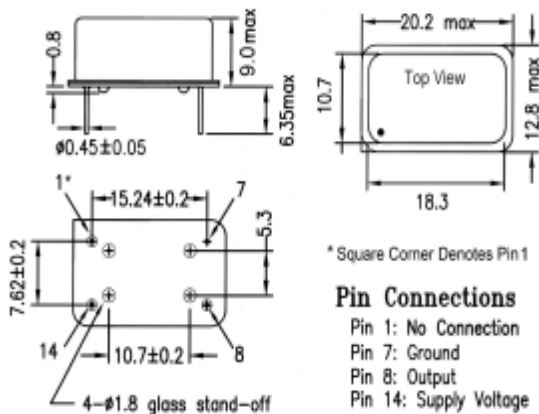
**Table2 Freq. Stability vs Operation Temp. Range(Ref to 25°C) and Option Code**

	10ppm	20ppm	±25ppm	±30ppm	±50ppm
-10~60°C	B10	B20	B25	B30	B50
0~70°C	K10	K20	K25	K30	K50
-20~70°C	C10	C20	C25	C30	C50

**Package A11,A12**



**Package A14**



**TCXOs**

**Part Numbering Key**

	SERIES	PACKAGE CODE	SUPPLY VOLTAGE	OUTPUT FORM	FREQ. STABILITY	FREQUENCY
Sample Part Numbers	SP02	A11,A12 A14,A15 A16	3.3=3.3V 5=5.0V	T=TTL/CMOS	See Table2	
<b>SP02-A14-5TK50 @100MHz</b>	<b>SP02</b>	<b>A14</b>	<b>5</b>	<b>T</b>	<b>K50</b>	<b>100MHz</b>