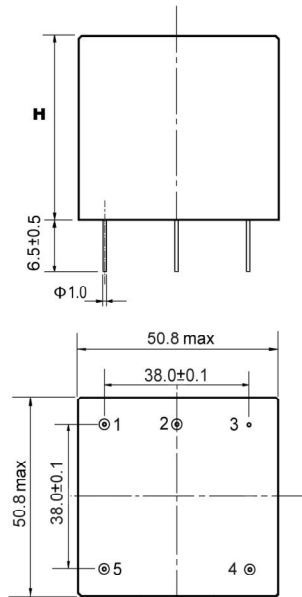


Package 50B, 50C, 50D

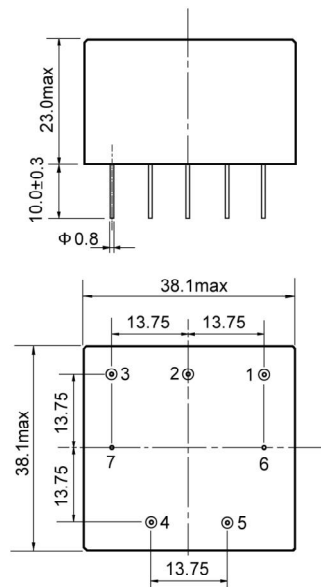
Unit:mm



- PIN Function
- 1 Input Voltage Control
  - 2 Ref. Voltage Output
  - 3 GND
  - 4 Supply Input
  - 5 Signal Output

Package Code	H
50B	50.0±0.3
50C	30.0±0.3
50D	20.0±0.3

Package 38A



- PIN Function
- 1 Supply Input
  - 2 Ref. Voltage Output
  - 3 Frequency control
  - 4 Signal Output
  - 5 GND
  - 6 Shell GND
  - 7 Shell GND